

TECHNICAL DATA SHEET

OUTSTANDING FEATURES

- ◆ DC or AC powered.
- ◆ Pulse and analog output scaled per unit of measure.
- ◆ Optional Hi and Lo alarms.
- ◆ Flowmeter Linearization.
- ◆ Factory configured when purchased with a Hoffer flowmeter.
- ◆ Several Enclosure options.
- ◆ CE Compliant.
- ◆ Windows® Configuration Software

PRODUCT DESCRIPTION

The CAT3 is a DC or AC powered, microprocessor controlled transmitter. It outputs a pulse scaled per unit of flow, and analog signal proportional to flow rate. The CAT3 can be configured with High and Low alarms.

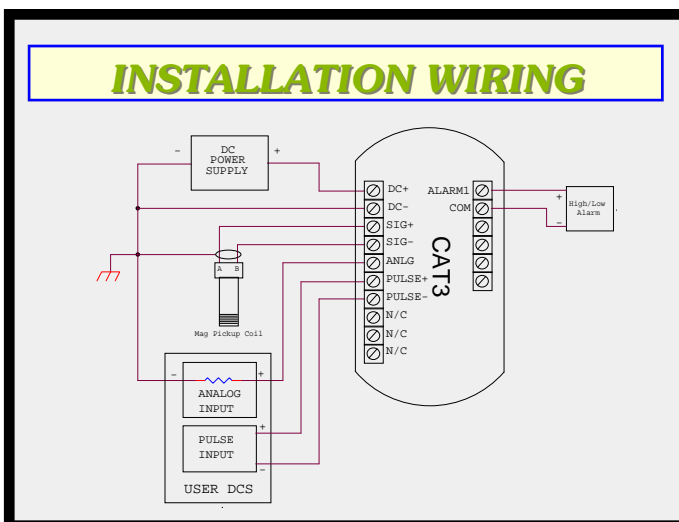
SPECIFICATIONS

Input Signal Type:	Magnetic pickup, MCP pickup, Contact Closure, Pulse.
Input Frequency Range:	0.2 Hz to 4 KHz.
Signal Level:	10 mV rms to 30 Vdc.
Power Supply:	13-30 Vdc, 100-240 Vac. Reverse polarity protection.
Analog Output:	4-20mA, 1-5V. 24mA overflow condition.
Load Resistance:	Max 650 Ohms at 24 Vdc.
Accuracy:	±0.02% of full scale.
Temperature Drift:	40 ppm/deg. C.
Pulse Output:	0-5V, 0-10V, Open Collector, AC Square. Internal pull up 10 k Ohms. Recommended minimum load resistance 50 k Ohms.
Pulse Scaling:	Divide by 1,10,100 per flow unit of measure.
Hi/Lo Alarm:	Relay (2A, 30Vdc), 0-5V, Open Collector (0.5A, 30V).



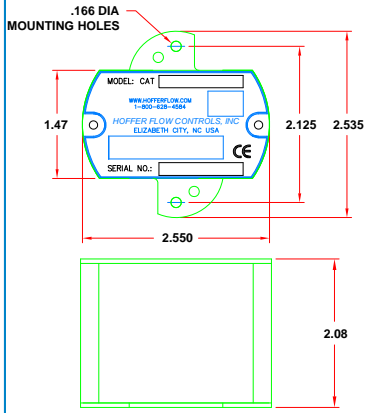
Communications:	RS232 port for configuration and diagnostics.
Operating Temperature:	-40° to +185°F. -40° to +85°C.
Humidity:	0-90% Non-Condensing.
Enclosure:	Extruded Aluminum. DIN Rail Mount. Explosion-Proof.
Regulatory:	CE Compliant.

Up to 20 Point Linearization.

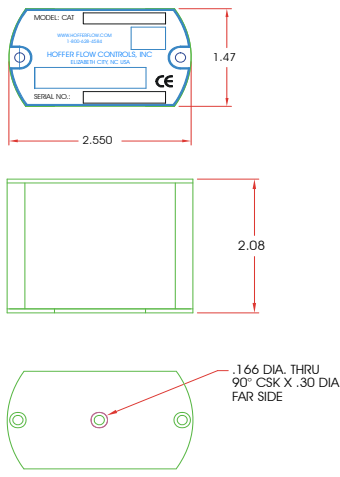


ENCLOSURE OPTIONS

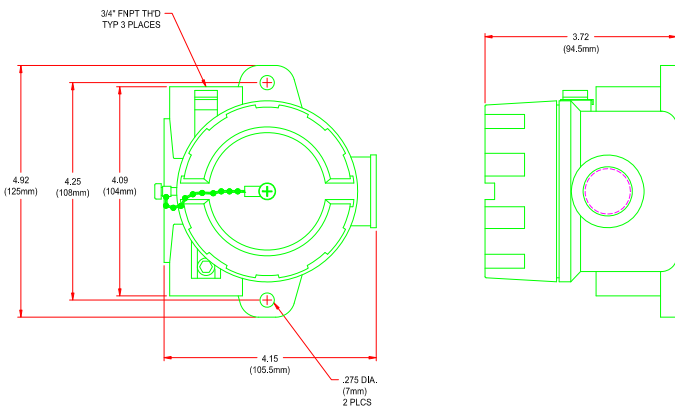
General Purpose Enclosure



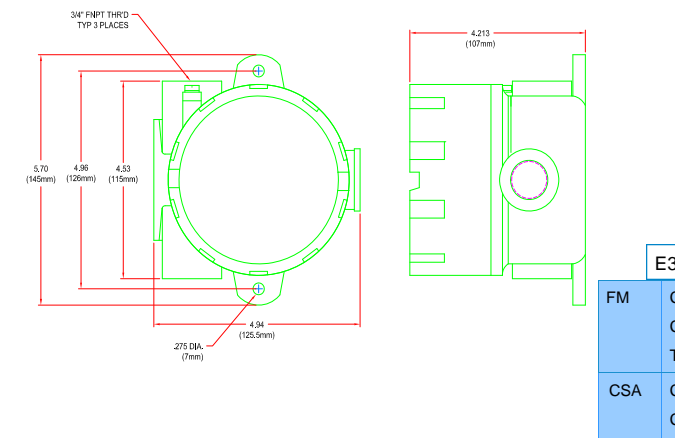
Din Rail Enclosure



E3 Enclosure



E4 Enclosure



E3 & E4 Enclosure Ratings:

FM	CLASS I, DIV 1, GR. ABCD CLASS II/III, DIV 1 GR. EFG TYPE 4X
CSA	CLASS I, DIV 1, GR. ABCD CLASS II, DIV 1, GR. EFG, CLASS III TYPE 4X Ex d IIC, CLASS I, ZONE1, IP 66
ATEX	Ex II 2GD Ex d tD IIC, IP66/IP68
IEC	Ex d IIC, IP68

ORDERING INFORMATION

Model CAT3 - () - () - () - () - () - () - () - ()

PULSE INPUT	
(1)	MAG COIL, DRY CONTACT
(2)	MC3P
(3)	ISOLATED PULSE, RPM, RPR AND HALL EFFECT COILS
LINEARIZED PULSE OUTPUT	
(1)	0-5 TTL/CMOS
(2)	OPEN COLLECTOR
(3)	OPEN COLLECTOR WITH PULL UP TO V+
(4)	AC SQUARE WAVE
(5)	0-10V SQUARE WAVE
LINEARIZED ANALOG OUTPUT	
(1)	4-20MA
(5)	1-5 VDC
POWER SUPPLY	
(DC)	13-30 VDC
(AC)	100-240 VAC (ALARM OPTION NOT AVAILABLE WHEN (AC) IS SELECTED)
ALARM OUTPUT	
(4)	HIGH OPEN COLLECTOR
(5)	HIGH TTL/CMOS
(6)	HIGH RELAY ONE SPDT, CONTACT RATED @ 2A 30V
(7)	LOW OPEN COLLECTOR
(8)	LOW TTL/CMOS
(9)	LOW RELAY ONE SPDT, CONTACT RATED @ 2A 30V
NOTE: WHEN ALARM SELECTED, AC POWER IS NOT AVAILABLE.	
ENCLOSURE STYLE	
(1)	GENERAL PURPOSE
(D)	2" LONG DIN RAIL MOUNT SINGLE UNIT. UP TO 20 CAT3 UNITS CAN BE MOUNTED ON A SINGLE RAIL
(E3)	EXPLOSION-PROOF
(E4)	EXPLOSION-PROOF FOR USE WITH AC POWERED CAT ONLY
SPECIAL FEATURES	
(CE)	MARK REQUIRED FOR EUROPE
(SP)	ANY SPECIAL FEATURES THAT ARE NOT COVERED IN THE MODEL NUMBER, USE A WRITTEN DESCRIPTION OF THE -SP
(MIL)	DESIGNED TO MEET EMC STDS EN55011-1992 AND EN61326-1:1997

NOTES:

- IF ENCLOSURE IS MOUNTED ON TURBINE FLOWMETER, RISER MUST BE SPECIFIED ON METER.
- IF THE CAT IS SHIPPED UNCALIBRATED OR IS RECALIBRATED IN THE FIELD, THE WINDOWS BASED SETUP KIT MUST BE PURCHASED.
- PULSE SCALING IS SUPPLIED AS A STANDARD IN THE BASE PRICE. THE PULSE OUTPUT IS SCALED SO THAT THE MAX FLOW IS BETWEEN 75-150 HZ WHEN THE ANALOG OPTION IS SELECTED.
- FOR UL LISTED EXPLOSION-PROOF ENCLOSURES CONTACT FACTORY.

H OFFER FLOW CONTROLS, INC.

107 Kitty Hawk Lane, P. O. Box 2145, Elizabeth City, NC 27906-2145
 800-628-4584 252-331-1997 FAX 252-331-2886
www.hofferflow.com email: info@hofferflow.com

The specifications contained herein are subject to change without notice and any user of said specifications should verify from the manufacturer that the specifications are currently in effect. Otherwise, the manufacturer assumes no responsibility for the use of specifications which may have been changed and are no longer in effect.

The quality system covering the design, manufacture and testing of our products is certified to International Standard ISO 9001.

