

FLOWMETERS BY HOFFER

Perfecting Measurement™



CAT1

CAT1 SERIES
Conditioners-Amplifiers-Transmitters
Product Bulletin CAT1-001C

TECHNICAL DATA SHEET

OUTSTANDING FEATURES

- ◆ Loop powered 4-20mA.
- ◆ Optional flowmeter linearization.
- ◆ Factory configured when purchased with a Hoffer flowmeter.
- ◆ Several enclosure options.
- ◆ CE Compliant.
- ◆ Windows® Configuration Software



PRODUCT DESCRIPTION

The CAT1 is a microprocessor controlled 2-wire 4-20mA transmitter. The CAT1 converts a low level, frequency signal from a flowmeter sensor into an analog 4-20mA output. The output is proportional to the flow rate.

SPECIFICATIONS

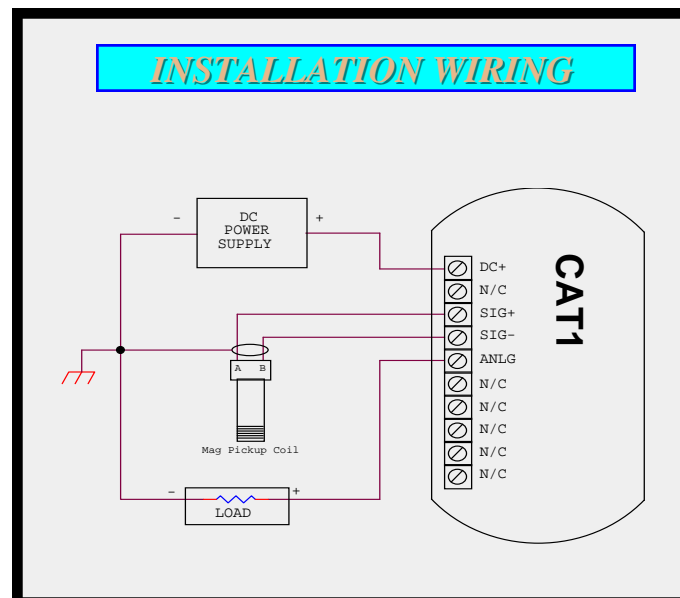
Input Signal Type:	Magnetic pickup.
Input Frequency Range:	0.2 Hz to 4 KHz.
Signal Level:	10 mV rms to 30 Vdc.
Power Supply:	Loop Power 10-30 Vdc. Reverse polarity protected.
Loop Burden Voltage:	8.5 V.
Analog Output:	4-20mA. 24mA overflow condition.

Load Resistance:	Max 650 Ohms at 24 Vdc.
Accuracy:	±0.02% of full scale.
Temperature Drift:	40 ppm/deg. C.
Communications:	RS232 port for configuration and diagnostics.
Operating Temperature:	-40° to +185°F. -40° to +85°C.
Humidity:	0-90% Non-Condensing.
Enclosure:	Extruded Aluminum. DIN Rail Mount. Explosion-Proof.
Regulatory:	CE Compliant.

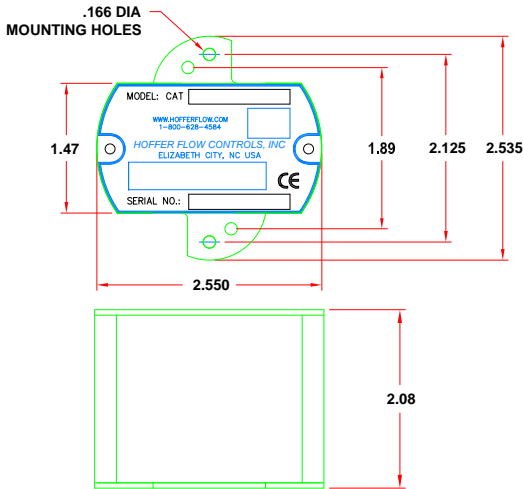
Up to 20 point linearization.

Windows® Configuration Software for device configuration, diagnostics and monitoring.

INSTALLATION WIRING



General Purpose Enclosure



ORDERING INFORMATION

Model CAT1- () - () - () - ()

ENCLOSURE STYLE

- (1) GENERAL PURPOSE ENCLOSURE
- (D) 2" LONG DIN RAIL MOUNT SINGLE UNIT. UP TO 20 CAN BE MOUNTED ON A SINGLE RAIL.
- (E3) EXPLOSION-PROOF

LINEARIZED ANALOG OUTPUT

- (7) 4 TO 20 MA UP TO 20 POINTS. ACCURACY +/- 0.02% OF FULL SCALE.

INPUT POWER

- (D) 8 TO 24 VDC LOOP POWERED.

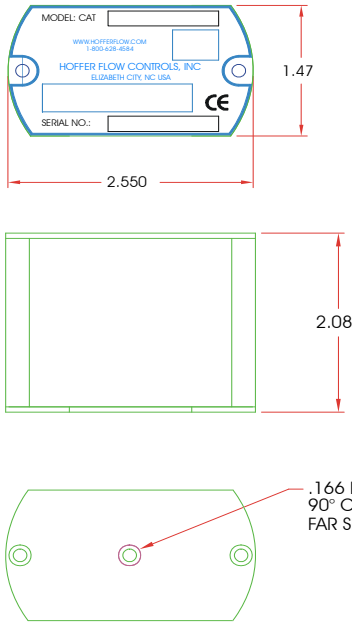
SPECIAL FEATURES

- (CE) MARK REQUIRED FOR EUROPE.
- (SP) ANY SPECIAL FEATURES THAT ARE NOT COVERED IN THE MODEL NUMBER, USE A WRITTEN DESCRIPTION OF THE -SP.

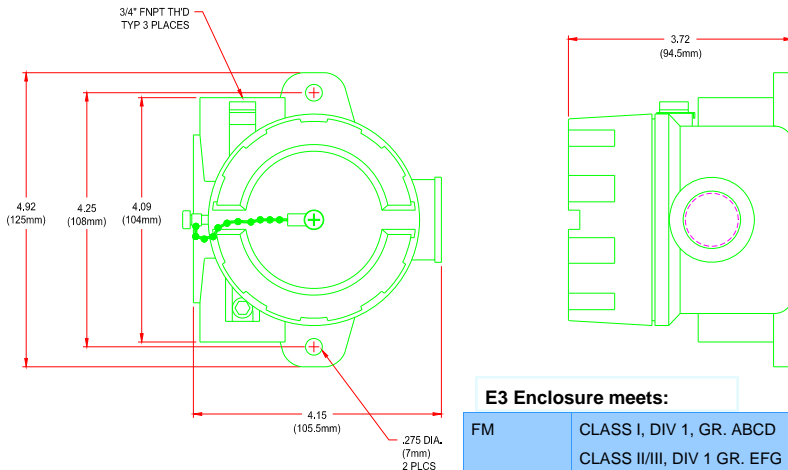
NOTES:

1. IF ENCLOSURE IS MOUNTED ON TURBINE FLOWMETER, RISER MUST BE SPECIFIED ON METER.
2. INPUTS: ACCEPTS MAGNETIC COIL ONLY.
3. IF THE CAT IS SHIPPED UNCALIBRATED OR IS RECALIBRATED IN THE FIELD, THE WINDOWS BASED SETUP KIT MUST BE PURCHASED. CONTACT FACTORY.

DIN Style Enclosure



E3 Explosion-Proof Enclosure



E3 Enclosure meets:

FM	CLASS I, DIV 1, GR. ABCD CLASS II/III, DIV 1 GR. EFG TYPE 4X
CSA	CLASS I, DIV 1, GR. ABCD CLASS II, DIV 1, GR. EFG, CLASS III TYPE 4X Ex d IIC, CLASS I, ZONE1, IP 66
ATEX	Ex II 2GD Ex d tD IIC, IP66/IP68
IEC	Ex d IIC, IP68

H

HOFFER FLOW CONTROLS, INC.

107 Kitty Hawk Lane, P. O. Box 2145, Elizabeth City, NC 27906-2145

800-628-4584 252-331-1997 FAX 252-331-2886

www.hofferflow.com

email: info@hofferflow.com

The specifications contained herein are subject to change without notice and any user of said specifications should verify from the manufacturer that the specifications are currently in effect. Otherwise, the manufacturer assumes no responsibility for the use of specifications which may

The quality system covering the design, manufacture and testing of our products is certified to International Standard ISO 9001.

